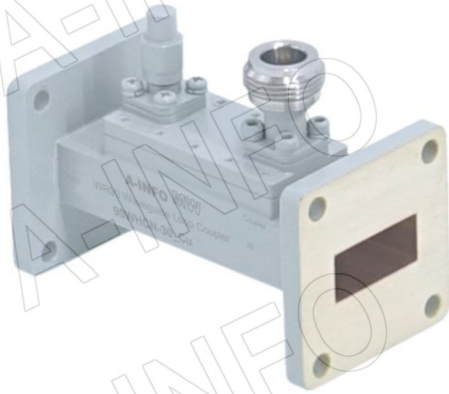


For reference only. See data sheet for the detailed specifications.

Technical Specification

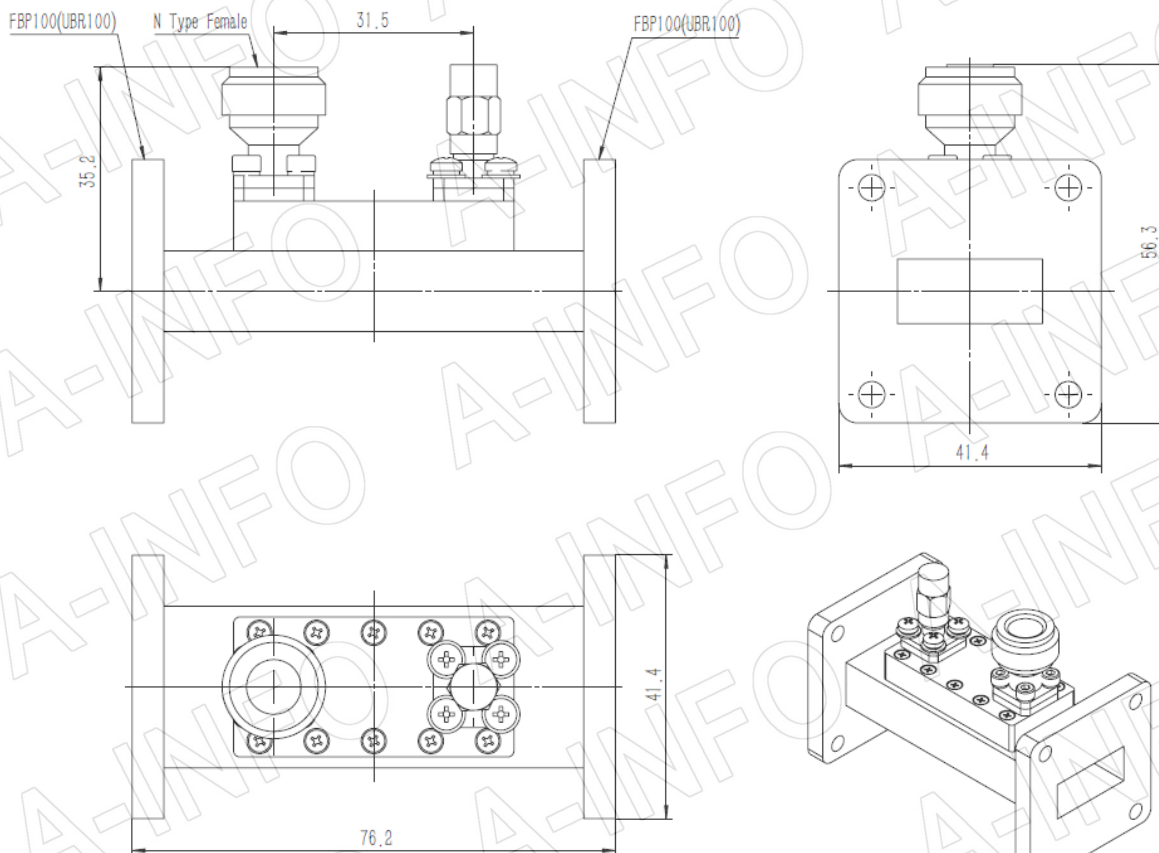


| | |
|----------------------|---|
| EIA WR | WR90 |
| Frequency Range(GHz) | 8.2 – 12.4 |
| Coupling(dB) | 30 |
| Directivity(dB) | 15 Typ. |
| Insertion Loss(dB) | 0.1 Max. (Not including the theoretical loss 4.35×10^{-3} dB) |
| VSWR Mainline | 1.10:1 Max. |
| VSWR Secondline | 1.35:1 Max. |
| Flange | FBP100(UBR100) |
| Coupling Port | N-Female/ N-Male |
| Material | Cu |
| Size(mm) | 76.2 x 41.4 x 56.3 |
| Net Weight(Kg) | 0.25 Around |

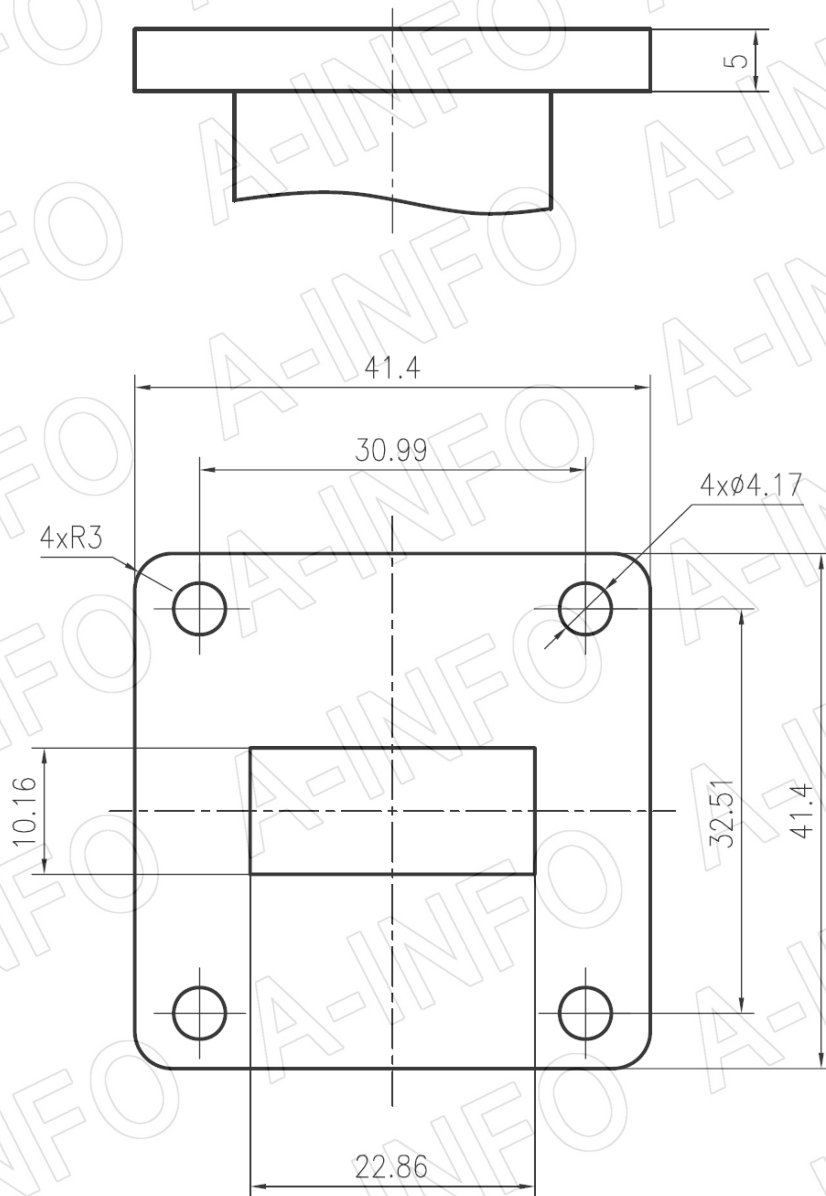
Outline Drawing (Size: mm)

Coupling Port: N-Female

For N-Male connector Coupling Port outline drawing, please contact A-INFO.



Flange Drawing (Size: mm)



FBP100

AINFO Inc.

China(Beijing): Tel: (+86) 10-6266-7326,
China(Chengdu): Tel: (+86) 28-8519-2786,
USA : Tel: (+1) 949-639-9688,

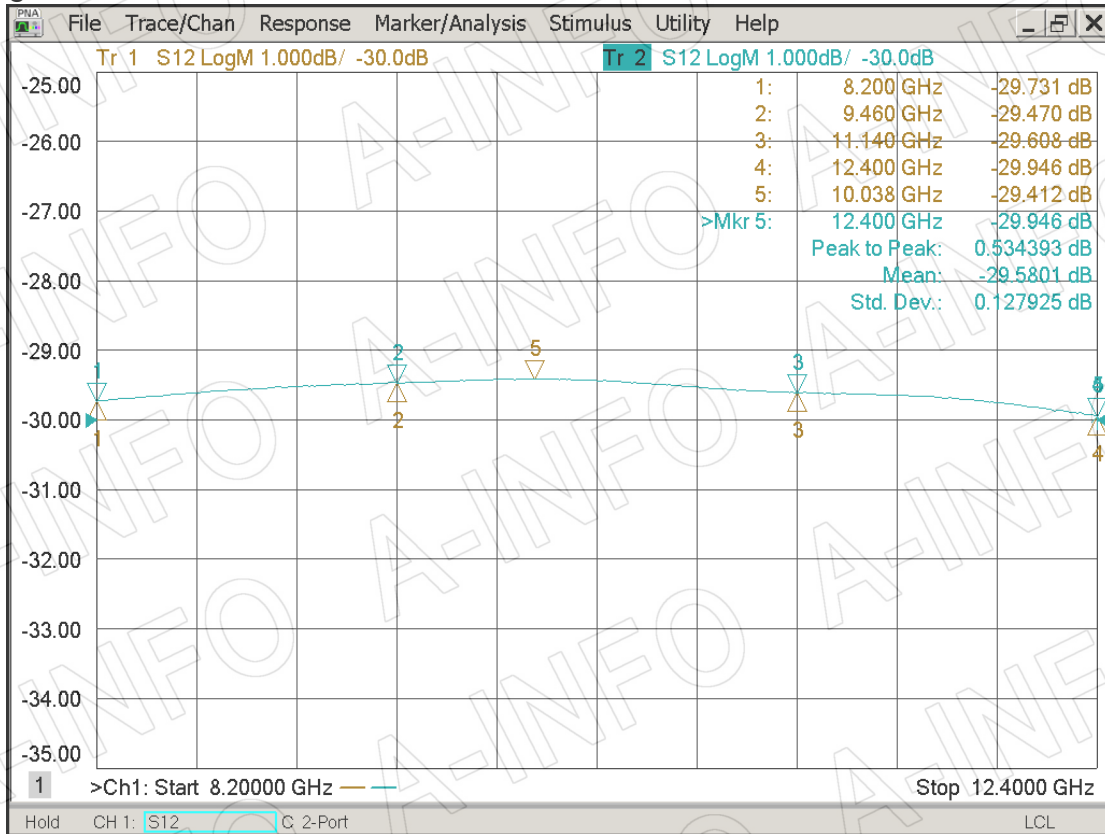
Page 2 of 5

(+86) 10-6266-7327 Fax: (+86) 10-6266-7379
(+86) 28-8519-3044 Fax: (+86) 28-8519-3068
(+1) 949-639-9608 Fax: (+1) 949-639-9670

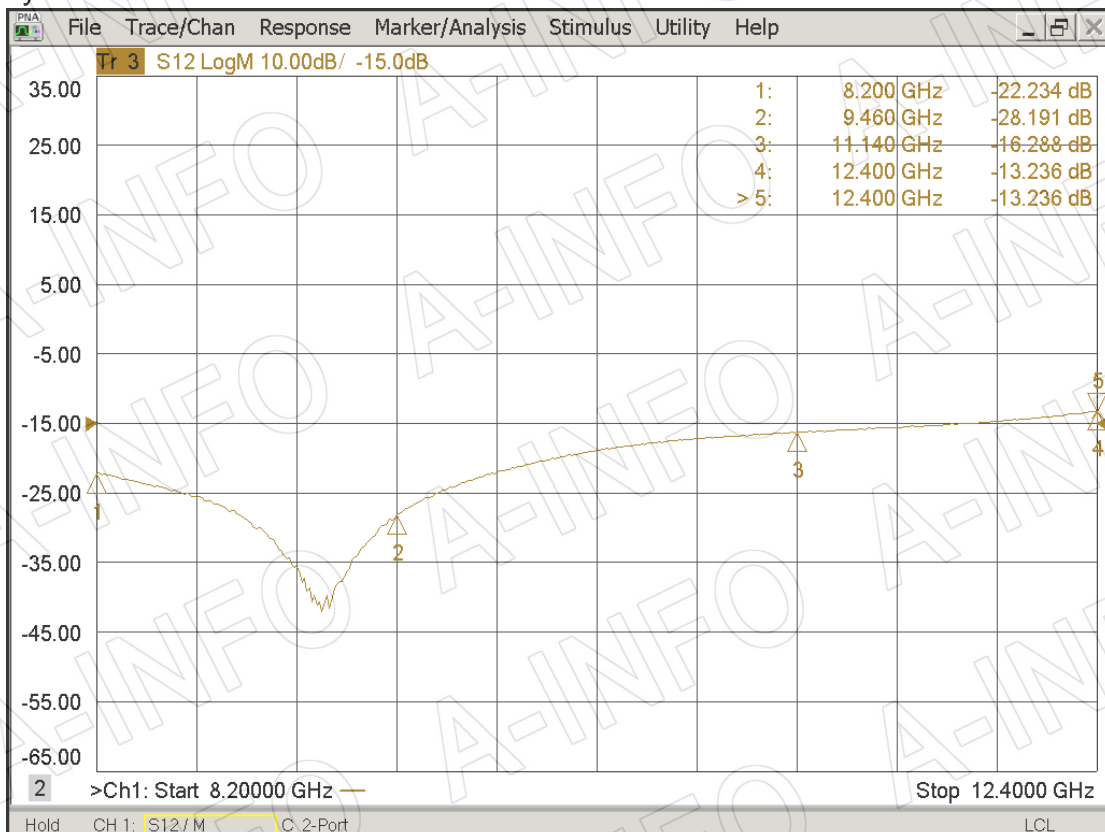
Website: www.ainfoinc.com
Email: sales@ainfoinc.com

Test Results

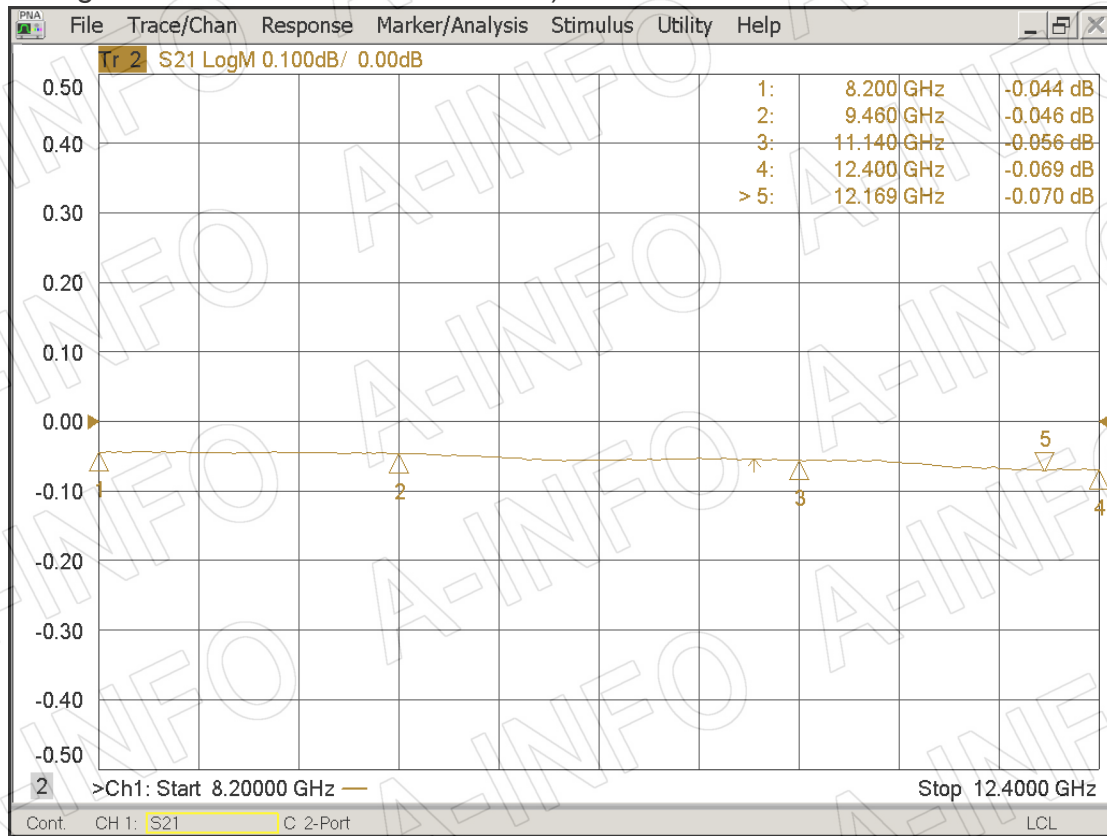
Coupling



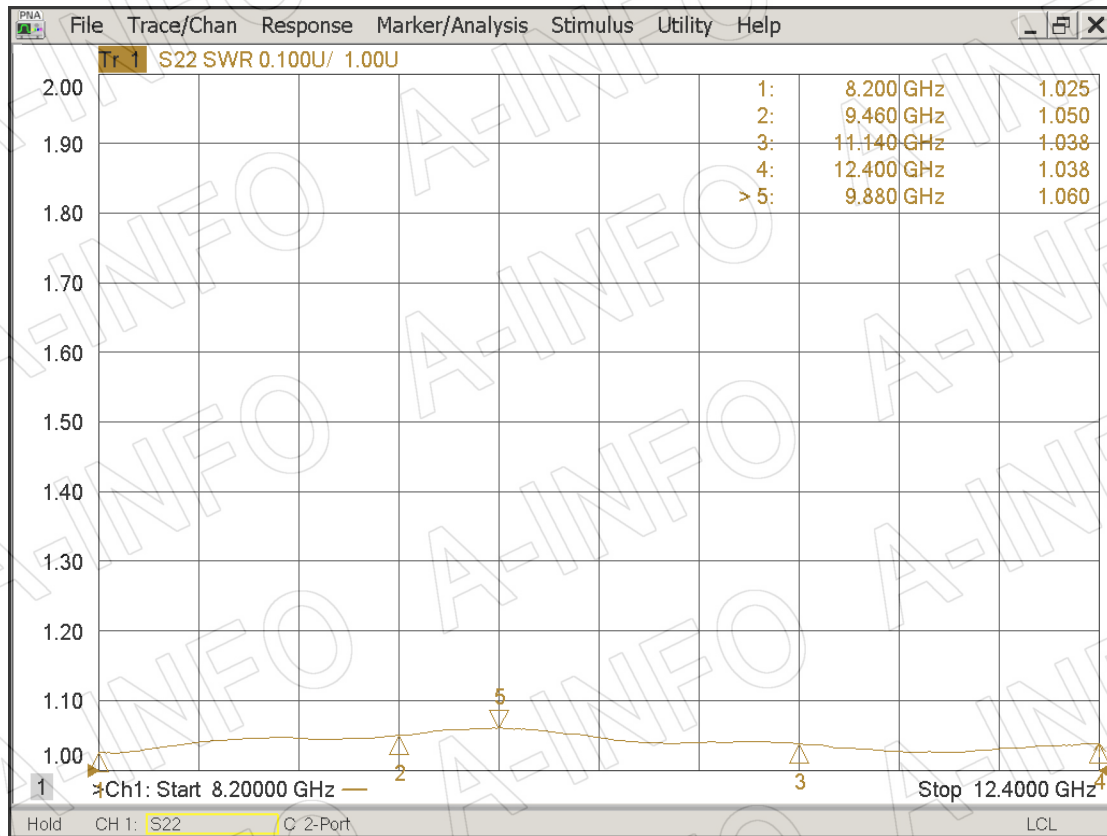
Directivity



I.L. (Including the theoretical loss 4.35×10^{-3} dB)



Mainline VSWR



Secondline VSWR

